
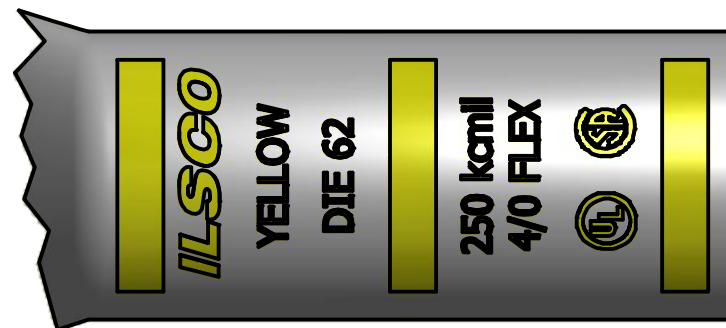
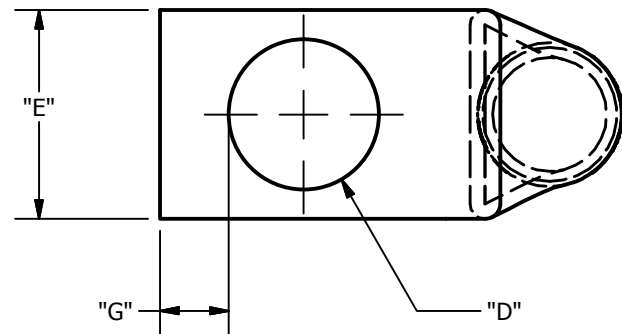
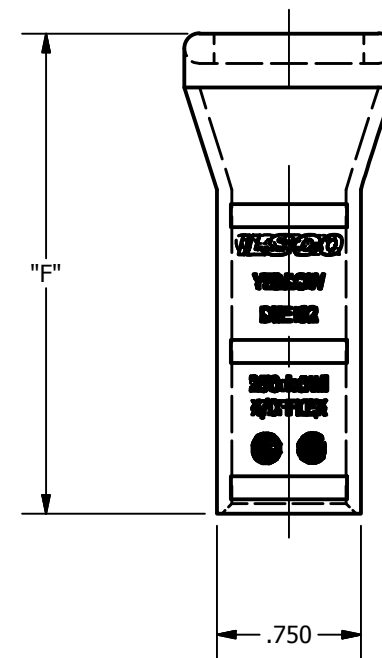
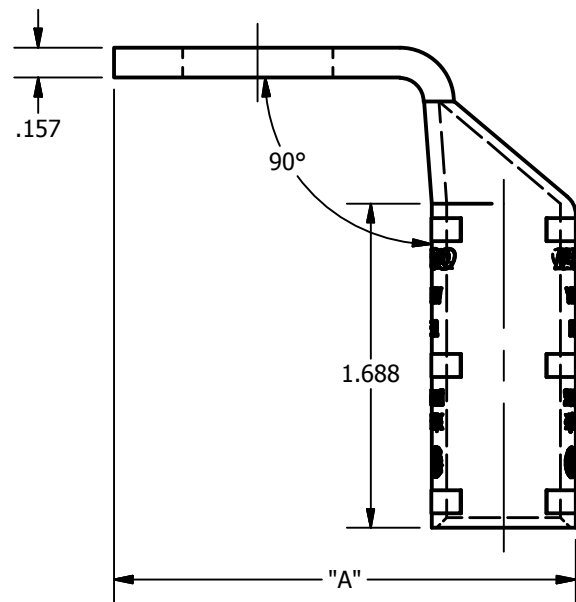


SCREW: NONE	MATERIAL: COPPER	REV: D	 800-776-9775 www.ilSCO.com
CAT. NO.: SEE CHART	PLATING: EL-TIN	DRAWN BY:DW SCALE: 1:1	
INFORMATION SHEET:FORM 157	MARKING: SEE CHART	DATE:6/3/2008 SIZE: B	
			DWG NO: <b>Y1103-S-9</b>
			SHEET: 1 OF 1



DETAIL F  
INK MARK TOP & BOTTOM



CATALOG NUMBER	"A"	"D"	"E"	"F"	"G"	TANG MARKING
CLNB-250-14-9	1.761	0.281	1.088	2.497	0.180	UL, ILSCO, CSA, CLNB-250-14-9, 1/4, 250 kcmil, 4/0 FLEX, DIE 62
CLNB-250-12-9	2.136	0.562	1.088	2.497	0.265	UL, ILSCO, CSA, CLNB-250-12-9, 1/2, 250 kcmil, 4/0 FLEX, DIE 62
CLNB-250-58-9	2.323	0.656	1.088	2.497	0.343	UL, ILSCO, CSA, CLNB-250-58-9, 5/8, 250 kcmil, 4/0 FLEX, DIE 62
CLNB-250-34-9	2.573	0.781	1.088	2.497	0.359	UL, ILSCO, CSA, CLNB-250-34-9, 3/4, 250 kcmil, 4/0 FLEX, DIE 62
CLNB-250-78-9	2.823	0.906	1.088	2.497	0.437	UL, ILSCO, CSA, CLNB-250-78-9, 7/8, 250 kcmil, 4/0 FLEX, DIE 62
CLNB-250-38-9	1.761	0.406	1.088	2.497	0.211	UL, ILSCO, CSA, CLNB-250-38-9, 250 kcmil, 4/0 FLEX, DIE 62
CLNB-250-516-9	1.761	0.343	1.088	2.497	0.180	UL, ILSCO, CSA, CLNB-250-516-9, 5/16, 250 kcmil, 4/0 FLEX, DIE 62